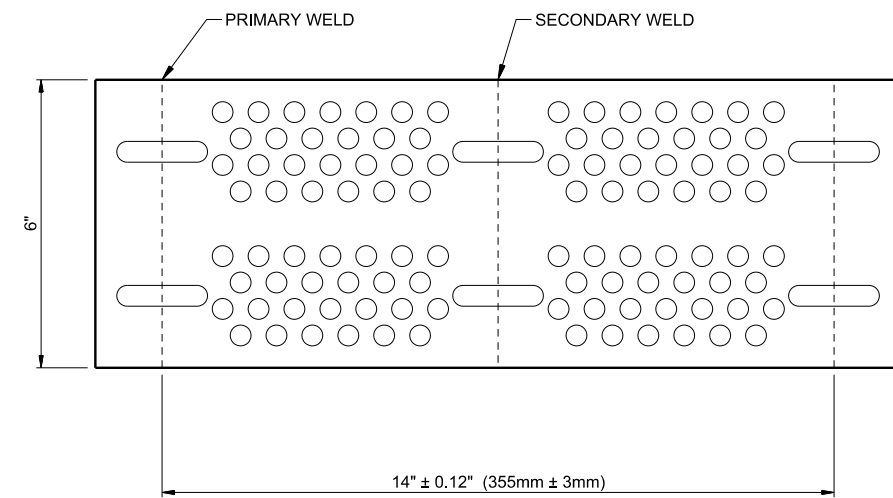
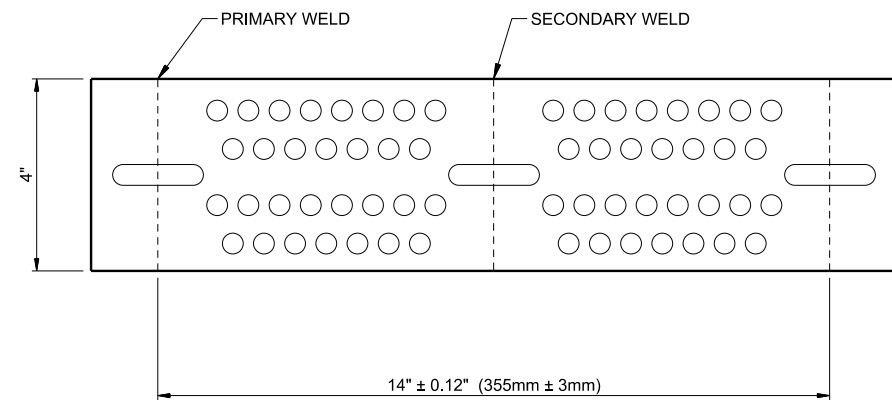


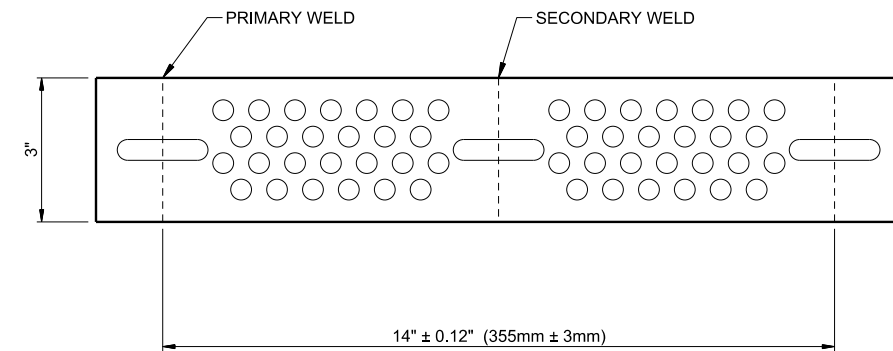
BASELOK GC20 GEOCELL - 8" (20cm) DETAIL



BASELOK GC20 GEOCELL - 6" (15 cm) DETAIL



BASELOK GC20 GEOCELL - 4" (10cm) DETAIL



BASELOK GC20 GEOCELL - 3" (7.5cm) DETAIL

NOTES:

1. GEOCELL SHEETS SHALL BE MANUFACTURED FROM VIRGIN HDPE RESIN.
2. GEOCELL SHEETS SHALL BE TEXTURED WITH DIAMOND SHAPED INDENTATIONS.
3. GEOCELL SHEET THICKNESS BEFORE TEXTURING SHALL BE 1.27mm (50 MILS) - 5% + 10%.
4. GEOCELL SHEET THICKNESS AFTER TEXTURING SHALL BE 1.52mm (60 MILS) -5% + 10%.
5. ROW PERFORATIONS OF 8" AND 4" GEOCELL STRIPS SHALL BE 0.65 INCHES (16.49mm) ON CENTER± 2%.
6. ROW PERFORATIONS OF 6" AND 3" GEOCELL STRIPS SHALL BE 0.74 INCHES (18.99mm) ON CENTER ± 2%.
7. STRIP EDGE TO NEAREST PERFORATION EDGE FOR 8" AND 4" SHALL BE A MINIMUM OF 0.354 INCHES (8.99mm) ± 2%.
8. STRIP EDGE TO NEAREST PERFORATION EDGE FOR 6" AND 3" SHALL BE A MINIMUM OF 0.46 INCHES (11.61mm) ± 2%.
9. WELD CENTERLINE TO NEAREST PERFORATION EDGE FOR 8" AND 4" SHALL BE A MINIMUM OF 1.02 INCHES (25.97mm) ± 2%.
10. WELD CENTERLINE TO NEAREST PERFORATION EDGE FOR 6" AND 3" SHALL BE A MINIMUM OF 1.04 INCHES (26.52mm) ± 2%.
11. DRAWING NOT TO SCALE.

BASELOK GC20 GEOCELL	
PERFORATED AREA DATA TABLE	
SIZE	% (PERFORATED)
4" & 8"	16.08%
3" & 6"	19.08%

DISCLAIMER:
THE INFORMATION CONTAINED HERIN HAS BEEN COMPILED BY INDUSTRIAL FABRICS, INC. AND TO THE BEST OF OUR KNOWLEDGE ACCURATELY REPRESENTS THE GEOCELL PRODUCT USE IN THE APPLICATIONS WHICH ARE ILLUSTRATED. FINAL DETERMINATION OF THE SUITABILITY FOR THE USE CONTEMPLATED AND ITS MANNER OF USE ARE THE SOLE RESPONSIBILITY OF THE USER. CIVIL, GEOTECHNICAL AND HYDRAULIC DESIGN AND ANALYSIS SHALL BE PERFORMED BY A QUALIFIED ENGINEER.

THIS DRAWING IS BEING FURNISHED FOR CONVENIENCE OF THE USER. ANY PARTY ACCEPTING THIS DOCUMENT DOES SO IN CONFIDENCE AND AGREES THAT IT SHALL NOT BE DUPLICATED IN WHOLE OR PART, NOR DISCLOSED TO OTHERS WITHOUT THE CONSENT OF INDUSTRIAL FABRICS, INC.

INDUSTRIAL FABRICS, INC. 510 O'Neal Ln Ext. Baton Rouge, LA 70819 BaseLok.com 1-800-848-3500	
BASELOK GC20 GEOCELL	
SCALE: NONE	DRAWN BY: L. BECK
DATE: APRIL 2020	DESIGNED BY:
JOB NO.	SHEET NO. 1